



Geoman

Elegance by Haas & Sohn



Freestanding
Multi-Fuel Stove

INSTALLATION, SERVICING AND USER INSTRUCTIONS

Models 200 / 210 / 220 / 240 / 250 / 270 / 280



This product is for use only in Great Britain and Ireland (GB, IE)

These instructions are to be left with the customer should be read carefully and kept in a safe place.
They will be necessary when servicing the appliance.

IMPORTANT

**Before installation of this product please read these instructions fully.
The installer should complete the commissioning sheet at the start of the User Instructions.**

Contents

Welcome to Yeoman 3

Commissioning Data 4

Technical Specification 5

SITE REQUIREMENTS

Stove Dimensions 6

Hearth Dimensions 8

Walls adjacent to Hearths 8

PRE-INSTALLATION CHECKS

Flue or Chimney 9

Additional Ventilation 10

INSTALLATION INSTRUCTIONS

Installing the Stove 11

Commissioning 12

OPERATING INSTRUCTIONS

General 13

Using the stove for the first time 13

Burning Wood 13

Burning Solid Fuel 14

Ash Removal 14

Recommended Fuels 15

MAINTENANCE AND SERVICING

General Cleaning 16

Cleaning Glass 16

Chimney Sweeping 16

Annual Service 16



Welcome to Yeoman

Your new Elegance multi-fuel stove is perhaps the most advanced design of modern stoves. Owning such a stove shows appreciation for exceptional quality.

Please read your manual thoroughly, its purpose is to familiarise you with your stove, and give guidelines for its installation, operation and maintenance. If after reading this manual you need further information, please do not hesitate to contact your Yeoman dealer.

IMPORTANT NOTICE

If your stove is installed correctly, it will give you many years of excellent service for which it was designed. This appliance must be installed by a HETAS registered installer (GB only).

WARNING

All types of heating appliance can be potentially dangerous. Correct installation and operating procedures must be observed when fitting this stove. Some parts of your stove are protected on their surface with heat proof paint. When the stove is first used it is normal for it to emit some light smoke, with an unpleasant smell. Though unpleasant, this is non toxic and is produced only whilst the stove paint fully cures. We recommend that you ventilate the room until this disappears.

FOR YOUR RECORDS

To assist us in any Guarantee claim please complete the following information:-

YEOMAN DEALER APPLIANCE WAS PURCHASED FROM

Name:

Address:

.....

Telephone number:

INSTALLATION ENGINEER

Company name:

Address:

.....

Telephone number:

ESSENTIAL INFORMATION - MUST BE COMPLETED

Date installed:

Model Description:

Serial number:

COMMISSIONING CHECKS (TO BE COMPLETED AND SIGNED)

Is flue system correct for the appliance YES NO

Flue swept and soundness test complete YES NO

Smoke test completed on installed appliance YES NO

Spillage test completed YES NO

Use of appliance and operation of controls explained YES NO

Instruction books handed to customer YES NO

Signature:

Print name:

TECHNICAL SPECIFICATION

Model		Elegance 200	Elegance 210	Elegance 220	Elegance 240	Elegance 250	Elegance 270	Elegance 280
Elegance 200	YM-EL200							
Elegance 210	YM-EL210							
Elegance 220	YM-EL220							
Elegance 240	YM-EL240							
Elegance 250	YM-EL250							
Elegance 270	YM-EL270							
Elegance 280	YM-EL280							
Nominal Heat Output	kW	4.9	4.9	7	4.9	6	6	8
Efficiency		79.1%	79.1%	79.7%	80.7%	80.7%	80.7%	81%
Flue Draught at Nominal Heat Output	mm Wg	1.5	1.5	1.5	1.5	1.5	1.5	1.5
	Inch Wg	0.06	0.06	0.06	0.06	0.06	0.06	0.06
Flue Gas Mass Flow	g/s	6.3	6.3	6.3	6.8	6.8	6.8	7.4
Flue Gas Temperature at Spigot/Socket	°C	290	290	290	290	290	290	270
Flue Outlet Size	mm	150	150	150	150	150	150	150
	inch	6	6	6	6	6	6	6
Flue Position		Top Only	Top Only	Top Only	Top Only	Top Only	Top Only	Top Only
Weight	kg	76	81	85	75	90	103	155
Recommended Fuels	Wood	Seasoned wood (less than 20% moisture content).						
	Solid Fuel	Briquette smokeless fuel suitable for closed appliances. (Ancit - Phurnacite - Taybrite - Homefire Ovals).						

SITE REQUIREMENTS

Before installation of this product please read these instructions fully.

It is very important to also understand the requirements of the UK Building Regulations (England and Wales - Document J / Scotland - Part F), along with any local regulations and working practices that may apply. Should any conflict occur between these instructions and the regulations then the regulations shall apply.

All electrical connections should meet the requirements of UK Building Regulations (England and Wales - Document P / Scotland - Part N).

Your local Building Control Office would be happy to advise, should questions arise regarding the requirements of the regulations.

The Elegance Stove should be fitted by a HETAS (GB only) registered installer, or approved by your local building control officer. Your Yeoman dealer should be able to arrange this service for you.

Your building insurance company may also require you to inform them that you have installed a new heating appliance, so check with your insurers that your cover is still valid after installing the Elegance Stove.

When completing the installation and building works you should comply with your responsibilities under the Health and Safety at Work Acts, and any new regulations, which may be introduced during the lifetime of these instructions.

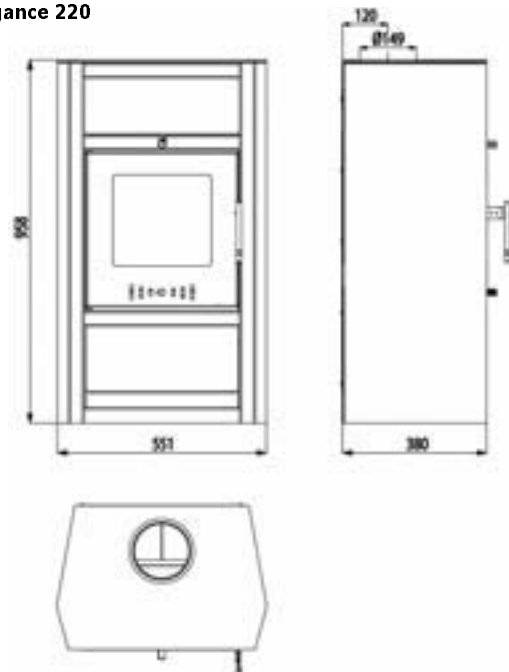
A faulty installation could cause danger to the inhabitants and structure of the building.

ELEGANCE STOVE DIMENSIONS

Elegance 200



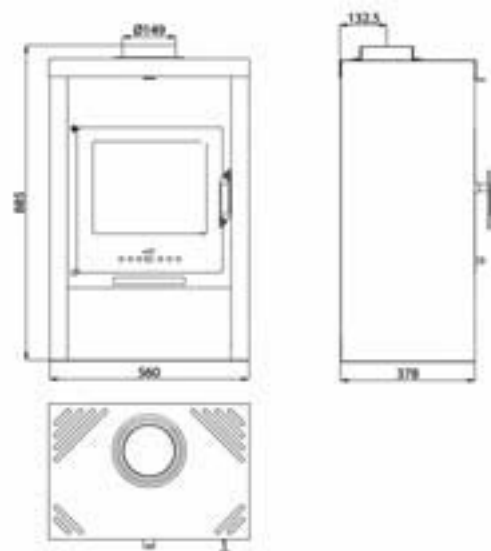
Elegance 220



Elegance 210



Elegance 240

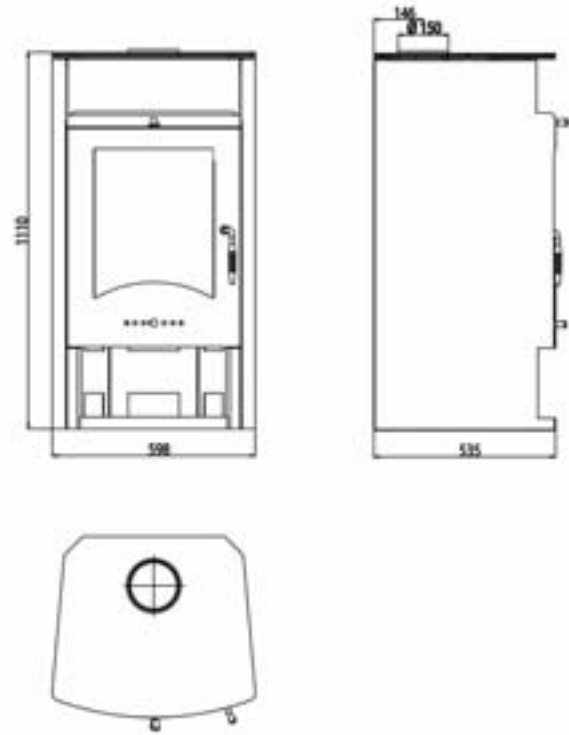


SITE REQUIREMENTS

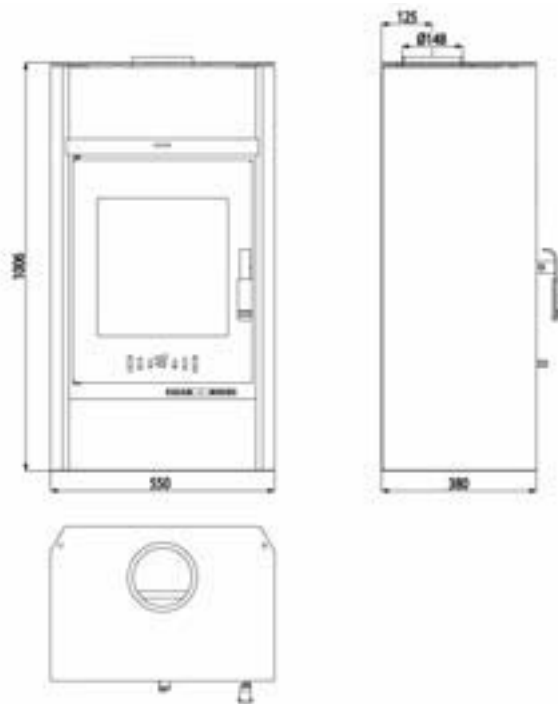
Elegance 250



Elegance 280



Elegance 270

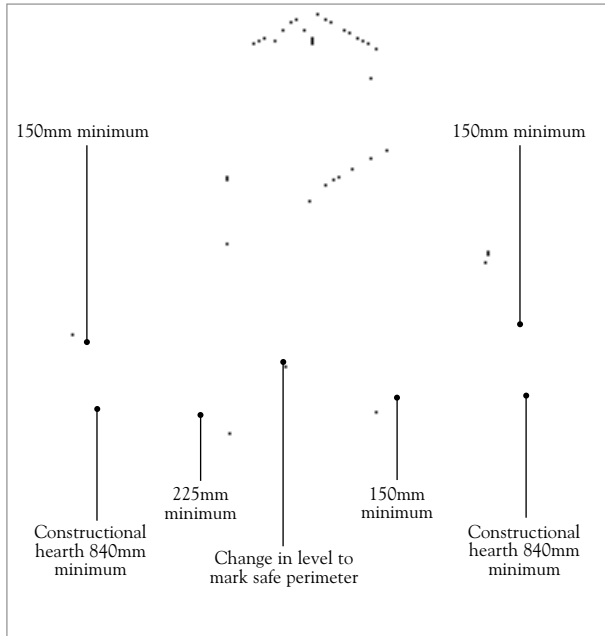


SITE REQUIREMENTS

Additional information covering the installation of the Elegance stove may be found in the British Standard: BS8303.

HEARTH DIMENSIONS

The appliance must stand on either a constructional hearth with the minimum dimensions as shown in diagram below.



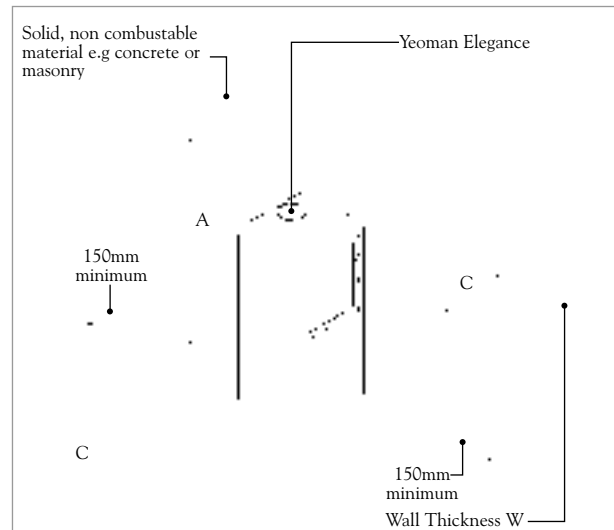
Or a 12mm thick non-combustible board/sheet material or tiles, of the minimum dimensions shown.

If you are fitting the appliance into an existing hearth setting, check that it complies with the current construction regulations and is at least the minimum sizes shown.

If you have no existing fireplace or chimney, it is possible to construct a suitable non-combustible housing and hearth setting. However this should be constructed to comply with the requirements of both current national and local regulations with the design approved by your local building control officer, masonry chimney systems built with clay or concrete liners or pre-fabricated block systems should be constructed in accordance with BS 6461 : Part 1. Factory made insulated systems should comply with BS 4543 : Part 2 and be installed to BS 7566 : Parts 1 to 4.

Remember that any new chimney added to your property may also require planning permission.

WALLS ADJACENT TO HEARTH



Location of hearth or Elegance Stove	Solid, non-combustible material	
	Thickness (W)	Height (A)
Where the hearth touches a wall and the Elegance Stove is not more than 50mm from the wall	200mm	At least 300mm above the Elegance Stove and 1200mm above the hearth
Where the hearth touches a wall and the Elegance Stove is more than 50mm but not more than 300mm from the wall	75mm	At least 300mm above the Elegance Stove and 1200mm above the hearth
Where the hearth does not touch a wall and is no more than 150mm from the wall	75mm	At least 1200mm above the hearth
Note: there is no requirement for protection of the wall where C is more than 150mm		

PRE-INSTALLATION CHECKS

It is important that adequate ventilation exists and the flue or chimney system that is to be used is in good working condition. Products of combustion that enter the room could be a serious health risk. Before installation of this product we recommend that the flue or chimney system and ventilation requirements are inspected by a competent person, and passed as suitable for use with the appliance to be fitted. In particular the following should be checked: -

- 1.5 The flue exit from the building should be positioned to comply with the requirements of the Building Regulations.
- 1.6 Any existing flue should be confirmed as suitable for the new intended use, as defined in the Building Regulations.

Model			Elegance 200	Elegance 210	Elegance 220	Elegance 240	Elegance 250	Elegance 270	Elegance 280
Flue/Chimney Size	Without liner system Round (diameter)	mm	150	150	150	150	150	150	150
		inch	6	6	6	6	6	6	6
	Without liner system Square (minimum dimension).	mm	135	135	135	135	135	135	135
		inch	5.5	5.5	5.5	5.5	5.5	5.5	5.5
	With liner or factory made system (diameter). <small>Installed in accordance with manufacturer's instructions</small>	mm	150	150	150	150	150	150	150
		inch	6	6	6	6	6	6	6
Flue/Chimney minimum height*		m	4	4	4	4	4	4	4
		feet	13	13	13	13	13	13	13
* When measured from the top of the stove to the top of the flue, with no horizontal sections and a maximum of four bends with an angle of less than 45°									

1. Flue or Chimney

- 1.1 The construction of the flue or chimney system should meet the requirements of the Building Regulations with sizes as shown: -
- 1.2 An approved, factory made system suitable for solid fuel use, complying with BS 4543: Part 2, may be used when installed to the requirements of BS 7566: Parts 1 to 4, the manufacturer's instructions and the requirements of Building Regulations.
- 1.3 New masonry chimney systems built with clay or concrete liners or pre-fabricated block systems should be constructed in accordance with BS 6461 : Part 1, and the requirements of Building Regulations.
- 1.4 A flexible flue liner system may be used, if it is independently certified for use with solid fuel systems, and is installed according to the manufacturer's instructions and the requirements of Building Regulations. If an appliance is being replaced on an existing flexible flue liner system, the liner system should be replaced, unless it can be proved to be recently installed and can be seen to be in good condition.

- 1.7 Any existing flue or chimney system must be inspected and swept by a NACS registered (GB only) chimney sweep, to confirm that the system is structurally sound and free from any obstructions.
- 1.8 Suitable access should be provided to enable the collection and removal of debris.
- 1.9 Provision should be made to sweep and inspect the flue when the appliance is installed.
- 1.10 No other heating appliances should be connected to, or share, the same flue or chimney system.
- 1.11 Check the flue draught. This should be done with all windows and doors closed and any extraction fans in this or adjoining rooms running at maximum speed (see next section for additional ventilation requirements).

Note: A guide containing general information on chimneys and flues is obtainable from: -

The British Flue & Chimney Manufacturers' Association, FETA

2 Waltham Court, Milley Lane
Hare Hatch, Reading
Berks RG10 9TH

Tel : - 01189 403416

e-mail :- bfema@feta.co.uk

PRE-INSTALLATION CHECKS

1.12 Where a hearth, fireplace, flue or chimney is provided or extended (including cases where a flue is provided as part of refurbishment work), information essential to the correct appliance and use of these should be permanently posted in the building, to meet Requirement J4 of the Building Regulations (England and Wales), F3.12 (Scotland).

2. ADDITIONAL VENTILATION

2.1 Additional ventilation will be required to comply with the requirements of the Building Regulations. This should be provided using a permanently open air vent, of the size listed, which is positioned so that it is not liable to be blocked both inside and outside the building.

Model		Elegance 200	Elegance 210	Elegance 220	Elegance 240	Elegance 250	Elegance 270	Elegance 280
Additional Ventilation	mm	none	none	1100	none	550	550	1650
	cm	-	-	11	-	5.5	5.5	16.5
	sq. inch	-	-	4.33	-	2.17	2.17	6.50

2.2 Extractor fans or cooker hoods should not be placed in the same room or space as the appliance.

2.3 If any of these checks reveal problems, do not proceed with the fitting of the appliance until they have been rectified.

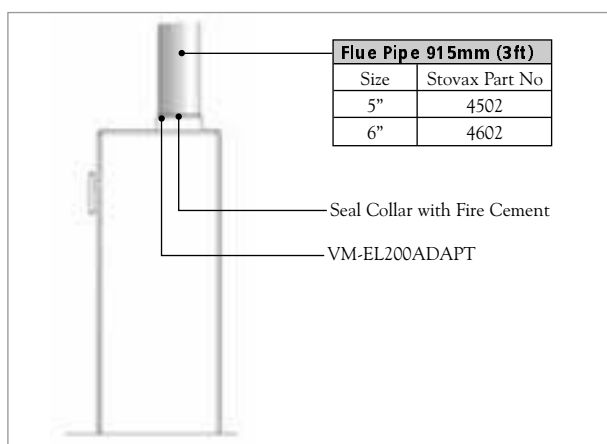
INSTALLATION INSTRUCTIONS

Because each installation is unique to the property, it is not possible to give full details to suit every setting. However the installation should comply with the requirements of the Building Regulations and be made using 'best practice' construction methods.

Remember that many fireplace openings will have a supporting lintel. Do not remove this without making provision to support the remaining structure of the building. **The Elegance stove must not form any part of the supporting structure.**

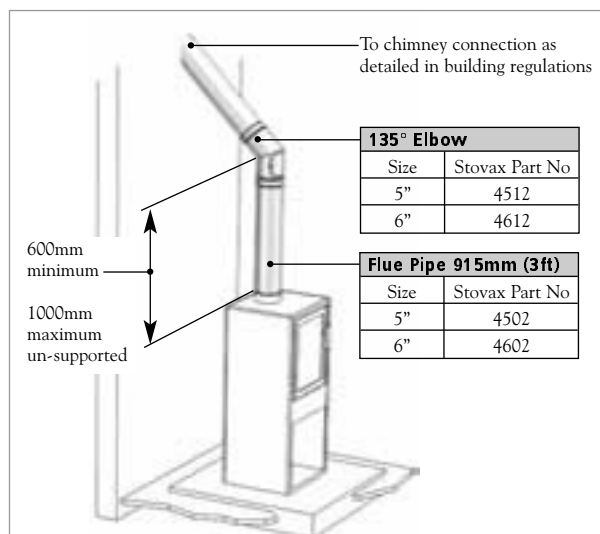
1. INSTALLING THE STOVE

- 1.1 Remove all packing and temporary transportation fixings from the Elegance stove, check that no parts have been left in the ashpan.
- 1.2 Lift the stove into position on the prepared hearth area, taking care not to damage the hearth finish.
- 1.3 To connect 6" (150mm) flue pipe (Stovax part 4602) to the stove in accordance with Building Regulations (Document J) an adapter (Stovax part YM-EL200ADPT) must be fitted between the flue pipe and the stove.
- 1.4 Seal the connecting joints with fire cement.
- 1.5 Top flue pipe installation



- 1.6 Connect a flue pipe by inserting it into the flue spigot and sealing using fire cement.

- 1.7 Typical top flue installation. Flue to be installed in accordance with manufacture's instructions.



- 1.8 As it is not possible to fully sweep the flue through the stove, provision must be made to clean the flue and collect debris without removing the stove.

INSTALLATION INSTRUCTIONS

2. COMMISSIONING

- 2.1 Before lighting the Elegance stove, check the following items: -
 - a) Fit of internal parts (firegrate, firebricks, baffles, and fuel retainer).
 - b) Door alignment, seals and catch operation.
 - c) Operation of air controls.
- 2.2 If there are any problems with the fit or operation of any of these items, this should be corrected before continuing with the commissioning of the Elegance stove.
- 2.3 Carry out a final smoke draw test, by first warming the flue with a blowlamp, or similar, for about 10 minutes. Then place a smoke pellet on the centre of the grate, with the air controls open, and close the door. Smoke should now be drawn up the flue and be seen to exit from the flue terminal. This test should be completed with all doors and windows in the room where the stove is fitted closed. Should this test fail, the suitability of the flue system and ventilation should be re-checked.
- 2.4 Light the appliance and gently allow the temperature to increase slowly to operating levels. Check that no combustion products are entering the room. When the stove has reached a steady operating condition open the main fire door and carry out a spillage test with a smoke match or pellet around the door opening.
- 2.5 If excessive spillage does occur, allow the appliance to cool and re-check the suitability of the flue system and ventilation.
- 2.6 Explain the safe operation of the stove and the use of the controls to the user, along with the need to only use suitable fuels. Also explain the cleaning and routine maintenance requirements.
- 2.7 Explain the requirements to use a suitable fireguard when children, elderly or infirm persons may be near the appliance.
- 2.8 **Record dealer/supplier details and installer details in user instructions.**
- 2.9 **Record serial number on page 4 of this instruction booklet.** This number will be required when ordering spare parts and making warranty claims.
- 2.10 **Give these instructions to the customer.**

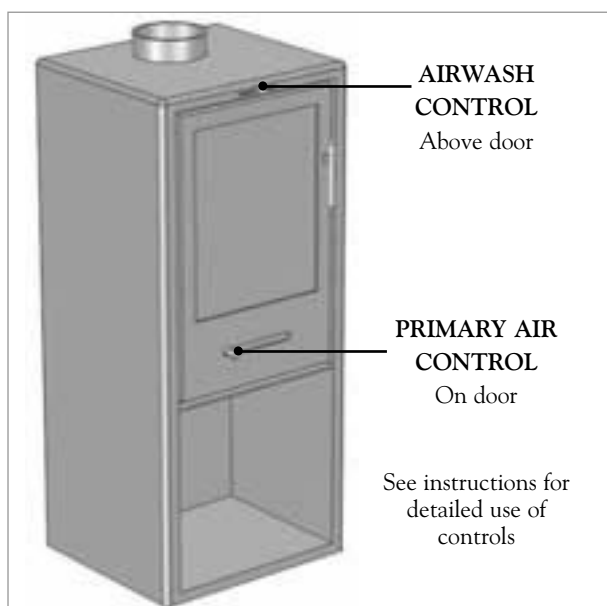
OPERATING INSTRUCTIONS

1. GENERAL

- 1.1 This stove is designed for domestic heating and should only be used for this purpose, and in accordance with the manufacturer's operating instructions.
- 1.2 It should be installed by a competent installer (HETAS registered GB only), in accordance with all local regulations, including those referring to national and European standards.
- 1.3 The stove should only be used to burn approved fuels and should not be used with liquid fuels or used as an incinerator.
- 1.4 As with all heating stoves, the surfaces will become very hot when in use, therefore due care should be taken when near the stove. If it is to be used in the presence of young children, elderly or infirm persons a suitable fireguard should be used. Care should also be taken with the placement of combustible items near the stove as conducted and radiated heat could cause a fire hazard.

Stovax offer a wide range of firescreens and sparkguards, along with a hearthgate system designed to offer full protection for a range of stoves and fireplaces. Your Stovax dealer can advise you on these products.
- 1.5 The additional ventilation required for the safe use of this stove should be kept free of any obstructions, both inside and outside the building, at all times.
- 1.6 Have your Stovax product serviced annually by a competent service engineer, and if repairs are required use only Stovax approved spare parts.
- 1.7 Do not make unauthorised modifications or changes to the stove. No other heating appliance should be connected to, or share the same flue or chimney system.
- 1.8 **SERIAL NUMBER** This number will be required when ordering spare parts or making warranty claims.

1.9 AIR CONTROLS (typical layout)



2. USING THE STOVE FOR THE FIRST TIME

- 2.1 When new, it is best to burn the fire at a low output for the first few days of use. This will allow the construction to settle and all fixing glues and paint to fully cure.
- 2.2 Avoid touching the paint during the first period of use.
- 2.3 During this time the stove may give off some unpleasant odours, and we recommend that you keep the room well ventilated during this period to avoid a build-up of fumes.

3. BURNING WOOD

- 3.1 Open the **Airwash control** fully and open the **Primary air control** to approximately 25% open.
- 3.2 Place some pieces of firelighter or dry crumpled paper on the grate and cover with some small pieces of dry kindling wood. Light the paper or firelighters.
- 3.3 To avoid the build-up of condensation on the door glass it is advisable to leave the door slightly open as the fire establishes and the glass warms.
- 3.4 As the fire becomes established add larger pieces of wood and fully close the door. **Do not leave the stove with the door open as this could over-fire the stove and cause permanent damage.**
- 3.5 As the fire becomes established, close the **Primary air control** and control the burn rate using the **Airwash control** only.
- 3.6 To burn wood efficiently it is best to allow a bed of ash to build-up on the grate, or the base of the stove, and control the combustion using the **Airwash control** only.
- 3.7 Before re-fuelling the stove it is advisable to first rake the embers evenly over the firebed then open the **Airwash control** fully for a few minutes, to establish a glowing bed before adding new logs.
- 3.8 Allow the new logs to burn at high output for a few minutes before adjusting the burn rate, with the **Airwash control**, to the desired setting. It is best to refuel little and often to maintain clean and efficient burning.
- 3.9 The ideal control settings to suit the particular installation and personal preferences will be established by experience in using the stove.
- 3.10 It is not recommended to load large amounts of logs and burn with the **Airwash control** on low settings for long periods of time as this will reduce the effectiveness of the glass cleaning effect of the airwash. Also this will cause large a build-up of tars and creosotes in the stove and flue system.

OPERATING INSTRUCTIONS

3.11 We would recommend that the stove be burnt at high output for at least 30 minutes each day when it is in use. This will help reduce the build-up of tars and creosotes within the stove and flue system.

3.14 **Do not burn painted or impregnated wood, manufactured board products, pallet wood or scrap timber.**

4. BURNING SOLID FUEL

- 4.1 Open the **Airwash control** to approximately 50% and **Primary air control** fully.
- 4.2 Place some pieces of firelighter or dry crumpled paper on the grate and cover with some small pieces of dry kindling wood. Light the paper or firelighters.
- 4.3 To avoid the build-up of condensation on the door glass it is advisable to leave the door slightly open as the fire establishes and the glass warms.
- 4.4 As the fire becomes established add pieces of solid fuel and fully close the door. **Do not leave the stove with the door open as this could over-fire the stove and cause permanent damage.**
- 4.5 As the fire becomes established, reduce the **Airwash air control** to approximately 25% and control the burn rate using the **Primary air control** only.
- 4.6 To burn solid fuel efficiently it is best to control the combustion using the **Primary air control** only.
- 4.7 Before re-fuelling the stove it is advisable to first de-ash the firebed, using the riddling grate system (if fitted) or a suitable poker. **Do not use bare hands to operate the riddling system or if using a poker to clear the firebed.**
- 4.8 Then open the **Primary air control** fully for a few minutes, to establish a glowing bed before adding new fuel. Allow the new fuel to burn at high output for a few minutes before adjusting the burn rate with the **Primary air control** to the desired setting. It is best to refuel little and often to maintain clean and efficient burning.
- 4.9 The ideal control settings to suit the particular installation and personal preferences will be established by experience in using the stove.
- 4.10 We would recommend that the stove be burnt at high output for at least 30 minutes each day when it is in use. This will help reduce the build-up of tars and creosotes within the stove and flue system.
- 4.11 **Do not burn bituminous coal, 'petro-coke' or other petroleum based fuels, as this will invalidate the product guarantee.**

5. OVER-FIRING

- 5.1 Do not use the appliance at maximum output for prolonged periods of time, or over fill the firebox with fuel, as this could result in over-firing. If the connecting fluepipe, appliance flue collar or top plate glow red with heat the appliance is being over-fired and the air controls should be closed to reduce the output.
- 5.2 If a chimney fire occurs shut all air controls immediately to close the appliance down, and evacuate all persons from the building before calling the fire brigade. Do not re-enter the building until it is confirmed safe to do so.
- 5.3 Following a chimney fire do not use the appliance until it is inspected, by a HETAS (GB only) registered installer, to confirm that the appliance is safe to use, or make any repairs required before re-use. Only genuine Stovax replacement parts are to be used to keep your appliance in safe and efficient working order.
- 5.4 After any chimney fire it is recommended that the chimney system be inspected and swept by a NACS registered (UK only) chimney sweep, to confirm that the system is structurally sound and free from any obstructions before re-use.

6. SEASONAL USE

- 6.1 If the stove is not to be used during the warmer periods of the year it is recommended to clean and service the stove, as detailed in the maintenance and servicing section of this booklet.
- 6.2 The air controls should be set in the 50% open position to keep the appliance ventilated, and stop the build-up of any moisture inside.
- 6.3 Before re-lighting the stove remove the baffles, clear any debris that may have accumulated, and check the flue is clear of any blockages.

7. ASH REMOVAL

- 7.1 The burning of any fuel will produce ash, which will have to be removed after a period of use. This time will depend on the fuel used. Before removing the ash from the stove it is advisable to let the fire burn down to a low level, or even go out completely. The ashpan can be removed using gloved hands from the stove after opening the door.
- 7.2 As heat can remain in the ash for a long period after use care must be taken when removing and carrying the full ashpan. We suggest that the ashpan be carried using gloved hands, or the ash is placed directly into a Stovax Ash Caddy.

OPERATING INSTRUCTIONS

- 7.3 When burning wood the amount of ash will be smaller and may only need removal once every week. To do this, allow the fire to burn out and cool. Then after removing the log retainer scoop out the ash with a suitable shovel. It is best to leave a layer of ash in the stove to form a bed for the new fire.
- 7.4 Do not place ash in a bin made from plastic or any other combustible material.

8. RECOMMENDED FUELS

8.1 **Wood:** - Burn only seasoned timber, with a moisture content of less than 20%. In most cases, this would require drying cut wood for at least 12 to 18 months before use. Poor quality timber could cause low combustion efficiency and produce large amounts of harmful condensation, which could reduce the effectiveness of the airwash system, and ultimately the life of the stove.

8.2 **Do not burn painted or impregnated wood or manufactured board products.**

The symptoms of poor performance related to wet wood include: -

- Difficulty getting a fire going and keeping it burning well
- Smoky fires with little flame
- Dirty glass
- Rapid creosote build-up in the chimney
- Low heat output
- Short burn times, excessive fuel consumption and blue/grey smoke from the chimney.

8.3 To help avoid large build-ups of tars and creosote within in the stove and the flue system, it is recommended to burn at maximum output for at least 30 minutes each day. The use of Stovax Protector chimney cleaner will also help to reduce this problem.

8.4 **Solid fuel:** - Burn manufactured smokeless fuels, listed as suitable for use with closed heating stoves. **Do not burn bituminous coal, 'petro-coke' or other petroleum based fuels, as this will invalidate the product guarantee.**

8.5 If you require advice on suitable solid fuels contact your local Approved Coal Merchant. Details can be obtained by ringing the Solid fuel Association advice line on Freephone 0800 600 000, or their web site at www.solidfuel.co.uk

MAINTENANCE AND SERVICING

1. GENERAL CLEANING

Before any cleaning is carried out allow the stove to cool fully including any ash to avoid risk of burns

- 1.1 We would recommend that your Elegance stove be cleaned fully on a regular basis, according to the level of use. Attention should be given to cleaning the baffle system, flueways and removing ash. Regular cleaning and preventive maintenance will help give many years of safe use.
- 1.2 The external paintwork may be cleaned using warm soapy water and a soft clean cloth. Wipe dry with a soft clean cloth before re-lighting. Do not leave unit without drying, as this may cause rust.

2. CLEANING GLASS

- 2.1 While the correct use of the Airwash system, and good quality fuel, will generally keep the glass clean when the appliance is used you may sometimes need to clean the glass.
- 2.2 This can be done as follows. Allow the Elegance stove to cool fully, never attempt to clean hot glass. Any deposits can then be removed using a soft cloth and Stovax Glass Cleaner.
- 2.3 Before re-lighting the appliance, dry the glass fully.
- 2.4 Do not use abrasive cleaner or cleaning pads.

3. CHIMNEY SWEEPING

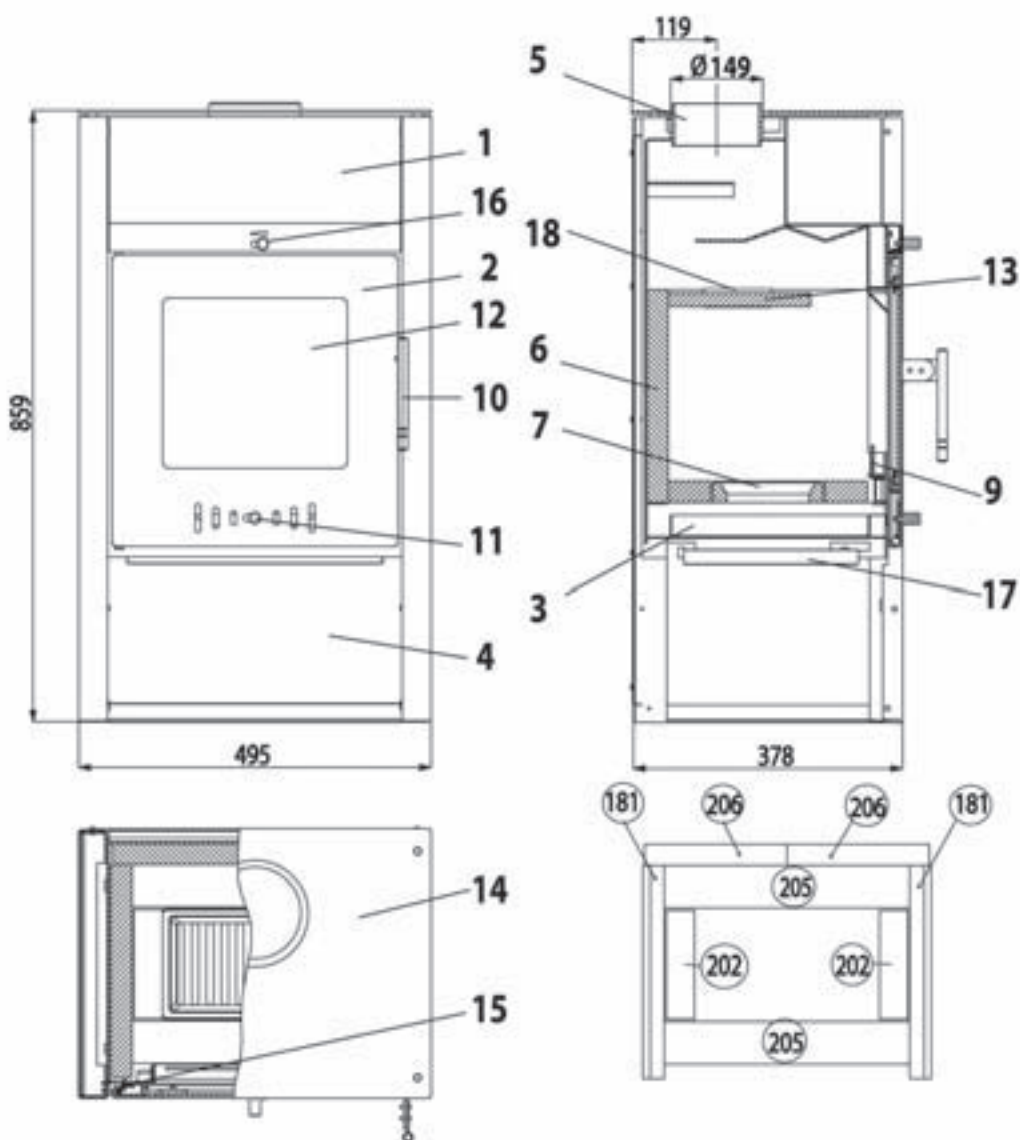
- 3.1 We would recommend that to maintain the safe and efficient use of the appliance the flue / chimney is inspected and swept at least once a year, by a NACS registered (UK only) chimney sweep, to confirm that the system is clean, structurally sound and free from any obstructions.

4. ANNUAL SERVICE

- 4.1 At the end of the heating season it is recommended to strip, inspect and clean the stove as detailed: -
- 4.2 Carefully remove all of the following internal parts. Internal Baffle, Firebricks, Complete grate, Ashpan, see section 5, and Vacuum clean any remaining ash and debris from the inside of the stove. Stovax 'Ash Clean' (4228) is recommended for this operation.
- 4.3 Clean the internal, metal, surfaces of the stove using a wire brush and scraper as required and vacuum and brush the resulting debris from the stove.
- 4.4 Clean the Grate parts with a wire brush, check for any damage and replace any damaged parts as required.

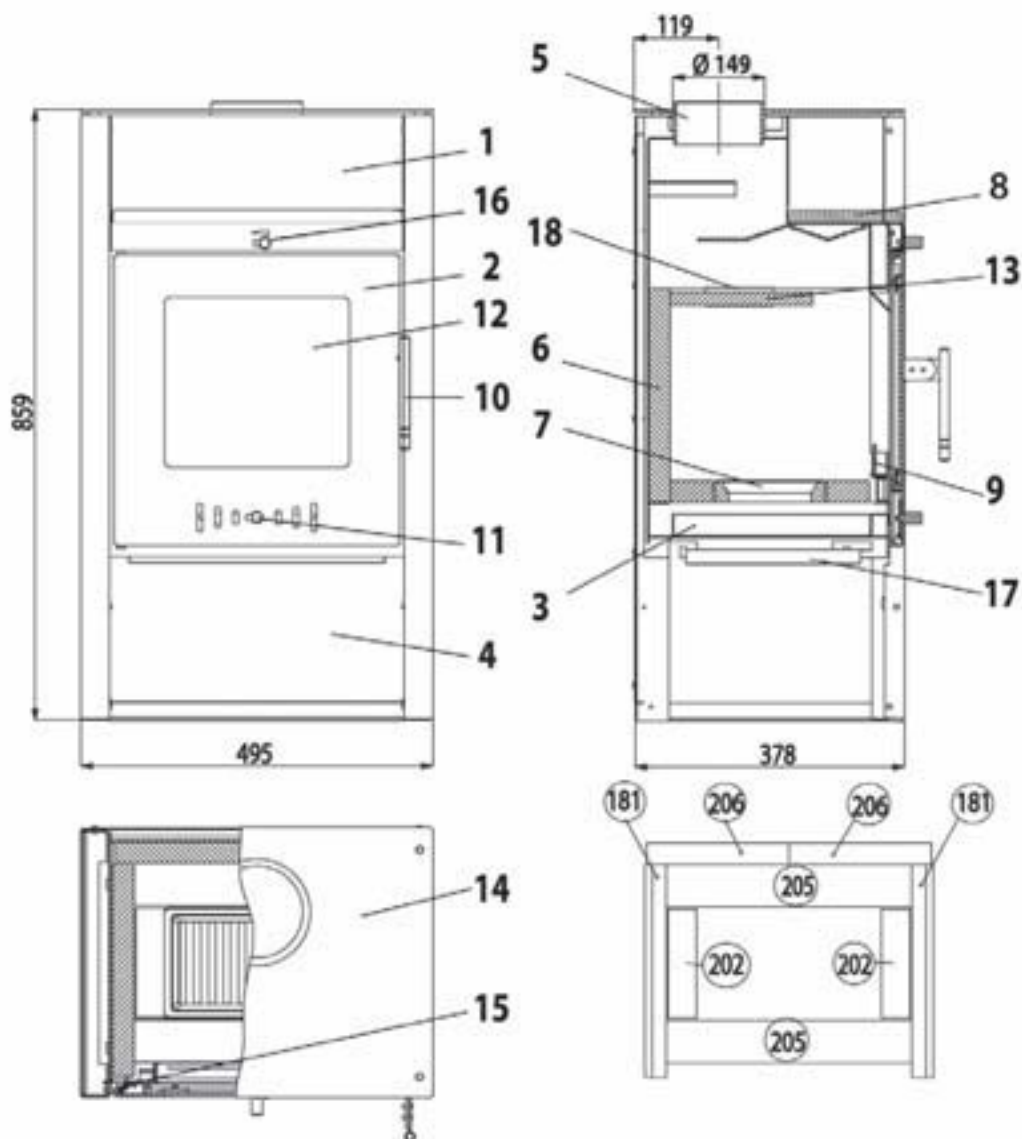
- 4.5 Check and clean, with a soft brush the Firebricks. Replace any broken bricks. It is normal for some surface damage to occur during use and life will depend on the type of fuels burnt.
- 4.6 Re-fit cleaned internal parts.
- 4.7 Remove the glass from the door, and discard all old rope seals.
- 4.8 Remove the door rope seal from the outer edge of the door clean the old glue from the door sealing rope groove.
- 4.9 Clean the door glass using Stovax Stove Glass cleaner and a soft cloth. Do not use abrasive cleaners to remove tar or soot deposits from the glass.
- 4.10 Replace the glass edge seal with new and re-fit the glass into place in the door.
- 4.11 Fit new door rope seal, gluing it in place with Stovax Thermic Seal rope adhesive. When fitting new door seals we recommend closing the stove door and leaving for at least 12 hours before using. This allows the adhesive to fully bond to the seal before use.
- 4.12 Lightly oil the door catch mechanism and hinge pins. Avoid getting oil on to the door seals, glass and paintwork.
- 4.13 To refresh painted finishes it is possible to re-paint using Stovax Thermolac stove paint.
- 4.14 We recommend that only genuine Stovax replacement parts are used to keep your appliance in safe and efficient working order. Your local Stovax dealer will be able to provide you with the genuine parts you require.
- 4.15 When using the stove for the first time again it is best to burn the fire at a low output for the first day of use. This will allow the new seals to settle and all new fixing glues and paint to fully cure.
- 4.16 During this time, the stove may give off some unpleasant odours, and we recommend that you keep the room well ventilated during this period to avoid a build-up of fumes.
- 4.17 If you require help, your local Yeoman dealer will be able to carry out all of your service and maintenance requirements for a reasonable cost.

SPARE PARTS LIST Elegance 200



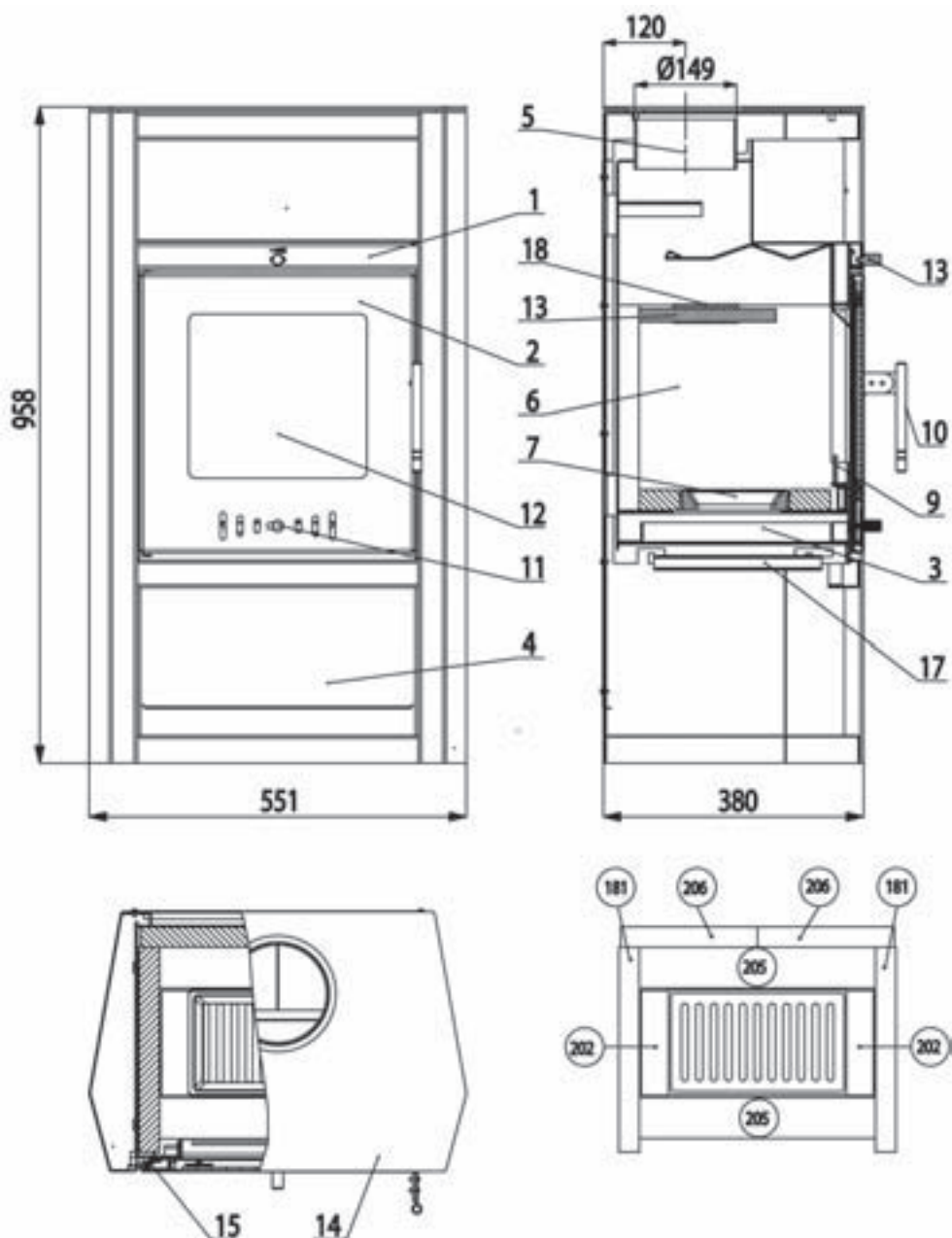
Part No.	Item	Description	Part No.	Item	Description
	1	Stove body	183792	12	Glass pane curved 280x260
ELD200DR	2	Door - anthracite	183791	13	Deflection plate 338x200x19
183799	3	Ash pan	183795	14	Top plate
	4	Wood storage compartment	183802	15	Door spring
	5	Flue spigot	181938	16	Secondary air control (Airwash)
See detail list*	6	Firebrick	183949	17	Support deflection plate
180492	7	Grate	183950	18	Guard plate
	8		183786	*181	Firebrick 300x300x30
183790	9	Log Guard	183787	*202	Firebrick 153x40x30
183963	10	Door Handle	183788	*205	Firebrick 345x60x30
181938	11	Primary air control	183789	*206	Firebrick 300x200x30

SPARE PARTS LIST Elegance 210



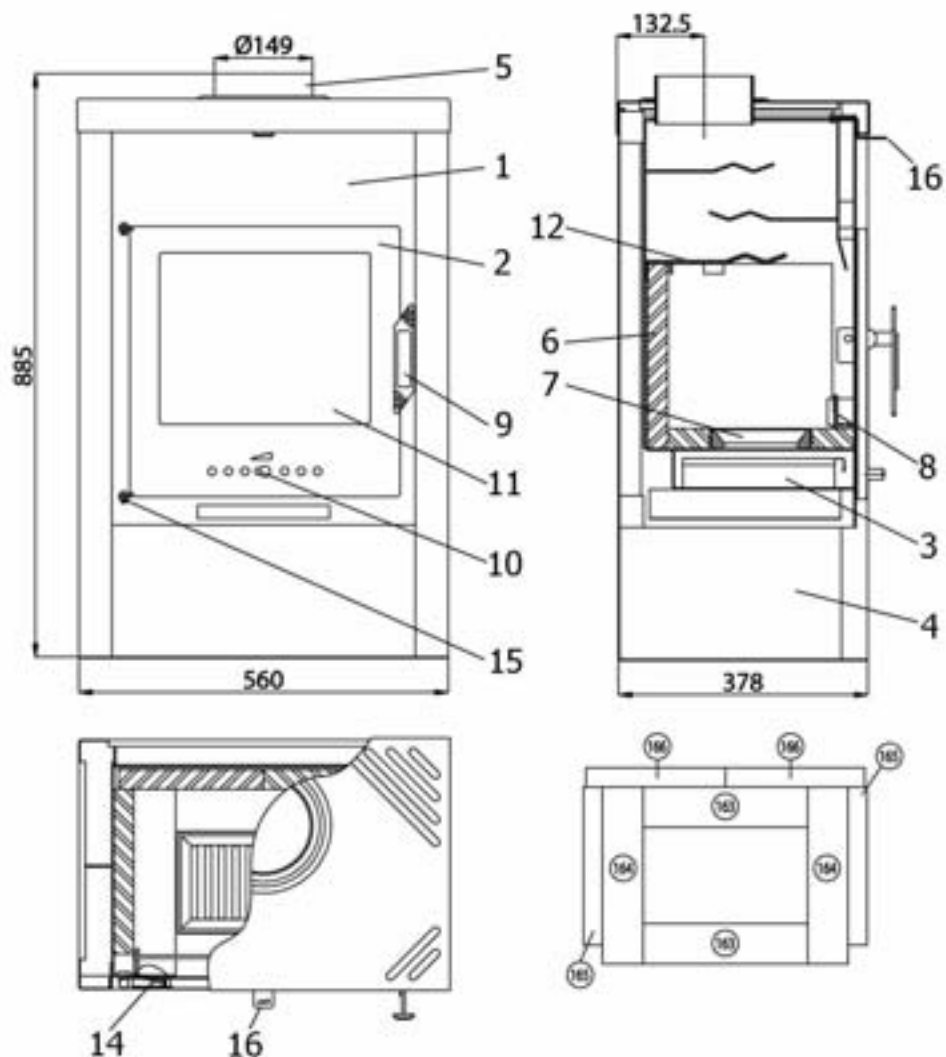
Part No.	Item	Description	Part No.	Item	Description
	1	Stove body	183792	12	Glass pane curved 280x260
183793	2	Door - anthracite	183791	13	Deflection plate 338x200x19
183799	3	Ash pan	183795	14	Top plate
	4	Wood storage compartment	183802	15	Door spring
	5	Flue spigot	181938	16	Secondary air control (Airwash)
See detail list*	6	Firebrick	183949	17	Support deflection plate
180492	7	Grate	183950	18	Guard plate
0065000015000	8	Warming compartment insert plate	183786	*181	Firebrick 300x300x30
183790	9	Log Guard	183787	*202	Firebrick 153x40x30
183963	10	Door Handle	183788	*205	Firebrick 345x60x30
181938	11	Primary air control	183789	*206	Firebrick 300x200x30

SPARE PARTS LIST Elegance 220



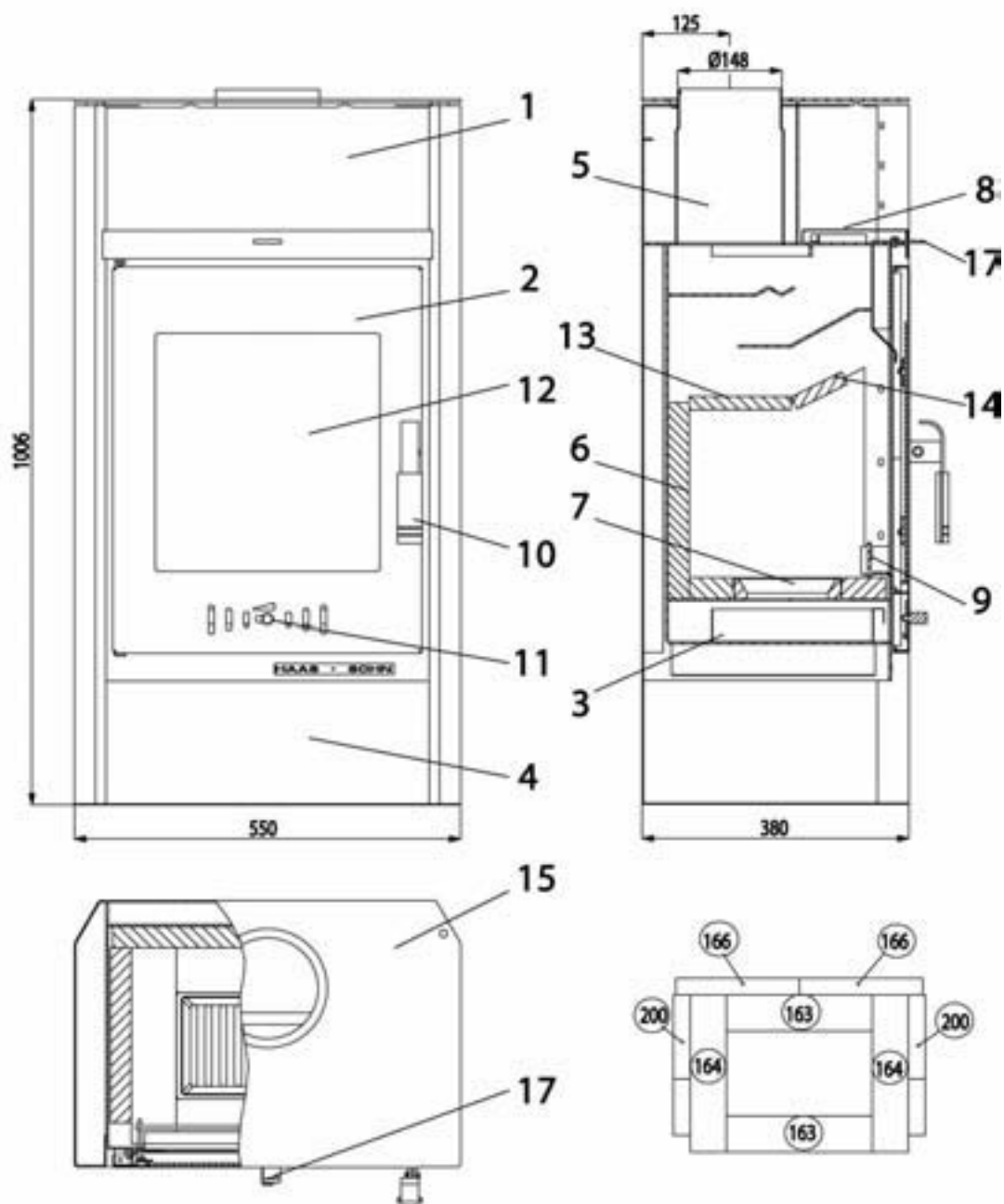
Part No.	Item	Description	Part No.	Item	Description
	1	Stove body	183792	12	Glass pane curved 280x260
183793	2	Door - anthracite	183791	13	Baffle 338x200x19
183799	3	Ash pan		14	Top plate
	4	Wood storage compartment	183802	15	Door spring
	5	Flue spigot	181938	16	Secondary air control (Airwash)*
See detail list*	6	Firebrick	183950	17	Guard plate
180492	7	Grate	183949	18	Support deflection plate
	8		183786	*181	Firebrick 300x300x30
183790	9	Log Guard	183787	*202	Firebrick 153x40x30
183963	10	Door Handle	183788	*205	Firebrick 345x60x30
181938	11	Primary air control	183789	*206	Firebrick 300x200x30

SPARE PARTS LIST
Elegance 240



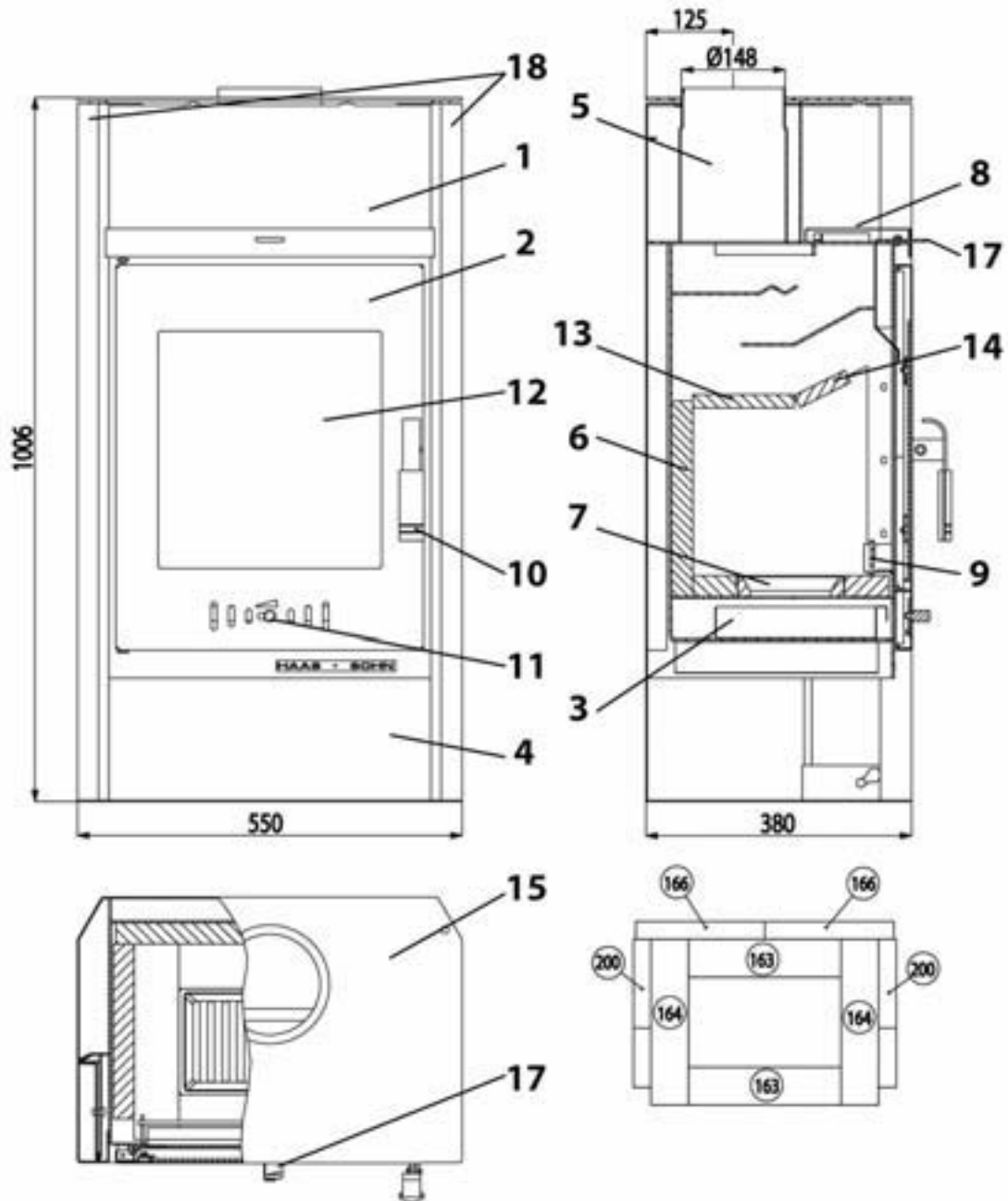
Part No.	Item	Description	Part No.	Item	Description
	1	Stove body	181324	11	Glass curved 340x280
182554	2	Door - anthracite	183127	12	Baffle 430x210
181338	3	Ash pan	183128	13	Cover plate
	4	Wood storage compartment	182557	14	Door spring
	5	Flue spigot	182558	15	Door bolt
See detail list*	6	Firebrick		16	Secondary air control (Airwash)*
180492	7	Grate	1825593	*163	Firebrick 260x62x30
181341	8	Log Guard	1825603	*164	Firebrick 275x60x30
182556	9	Door Handle	1825613	*165	Firebrick 280x250x30
181938	10	Primary air control	182623	*166	Firebrick 280x220x30

SPARE PARTS LIST Elegance 250



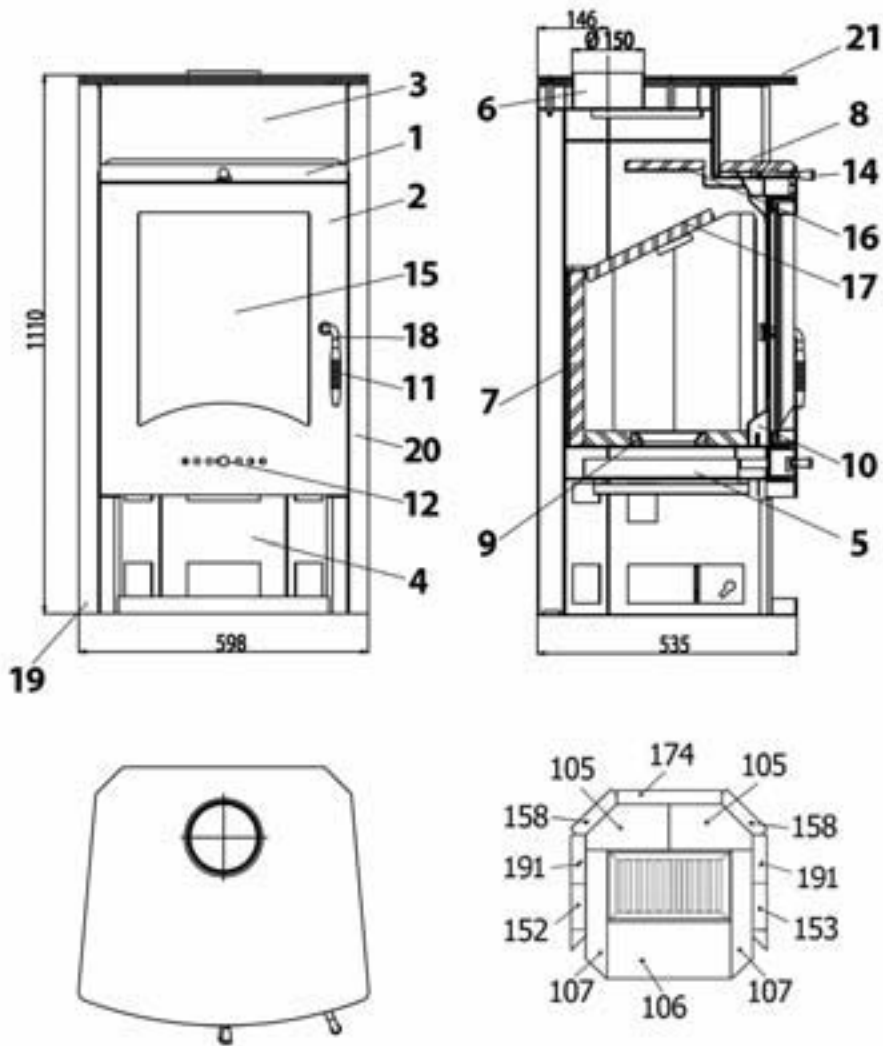
Part No.	Item	Description	Part No.	Item	Description
	1	Stove body	181938	11	Primary air control
183761	2	Door - anthracite	183765	13	Baffle 420x145x19
181338	3	Ash pan	183766	14	Baffle 420x80x19
	4	Wood storage compartment	183767	15	Cover plate
	5	Flue spigot	182557	16	Door spring
See detail list*	6	Firebrick		17	Secondary air control (Airwash)
180492	7	Grate	1825593	*163	Firebrick 260x62x30
183762	8	Warming compartment insert plate	1825603	*164	Firebrick 275x60x30
183763	9	Log Guard	1825623	*166	Firebrick 280x220x30
183764	10	Door Handle	183768	*200	Firebrick 330x250x30

SPARE PARTS LIST
Elegance 270



Part No.	Item	Description	Part No.	Item	Description
	1	Stove body	183765	13	Baffle rear 420x145x19
183761	2	Door - silver painted	183766	14	Baffle front 420x80x19
181338	3	Ash pan	183769	15	Top cover (silver)
	4	Wood log compartment	182557	16	Spring (door)
	5	Flue spigot		17	Secondary air control (Airwash)
See detail list*	6	Firebrick	183770	18	Side panel (silver)
180492	7	Grate	196914		Seal - door 8mm
183762	8	Warming shelf inlay (silver)	196917		Seal glass pane 10x4mm
183763	9	Log Guard	1825593	*163	Firebrick 260x62x30
183764	10	Door Handle	1825603	*164	Firebrick 275x60x30
181938	11	Primary air control	1825623	*166	Firebrick 280x220x30
181984	12	Glass pane 370x340	183768	*200	Firebrick 330x250x30

SPARE PARTS LIST
Elegance 280



Part No.	Item	Description	Part No.	Item	Description
	1	Stove body	182659	17	Lower baffle 385x290
183953	2	Door	181954	18	Base support framework
	3	Warming shelf	183452	19	Side panel left
	4	Wood log compartment	183453	20	Side panel right
183450	5	Ash pan 340x320	183454	21	Top cover steel sheet
	6	Flue spigot	196912		Seal door 10mm
See detail list*	7	Firebrick	196915		Seal glass
182641	8	Warming shelf inlay ST	181353	*105	Firebrick 173x97x30
180492	9	Grate	181354	*106	Firebrick 260x123x30
182654	10	Log retainer	181355	*107	Firebrick 276x45x30
181930	11	Door handle	181977	*152	Firebrick 480x165x30
181938	12	Primary air control	181978	*153	Firebrick 480x165x30
181938	14	Secondary air control (Airwash)	182227	*158	Firebrick 370x120x30
182655	15	Glass pane 465x370 flat	182656	*174	Firebrick 360x220x30
181361	16	Upper baffle 375x160	183471	*191	Firebrick 425x115x30

YEOMAN STOVES

A division of Stovax Ltd

Falcon Road, Sowton Industrial Estate, Exeter, EX2 7LF

Tel 01392 474500 Fax 01392 219932

www.yeoman-stoves.co.uk

Email: yeoman@stovax.com